

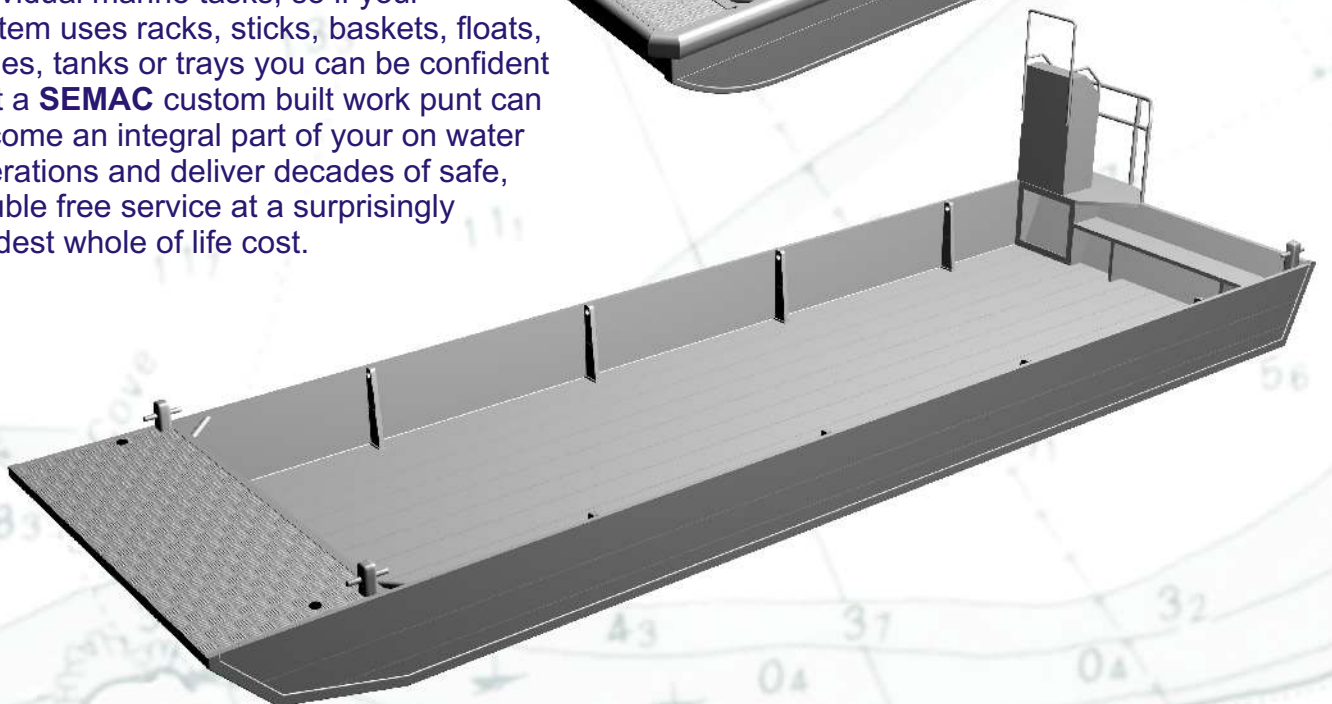
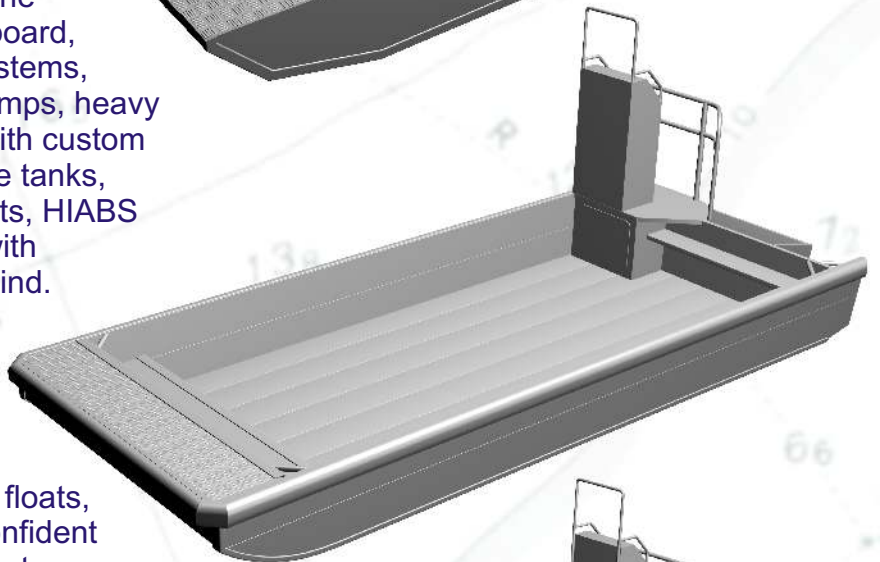
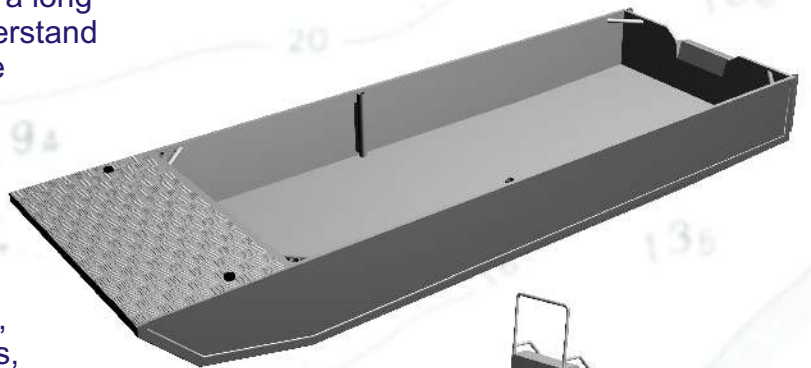
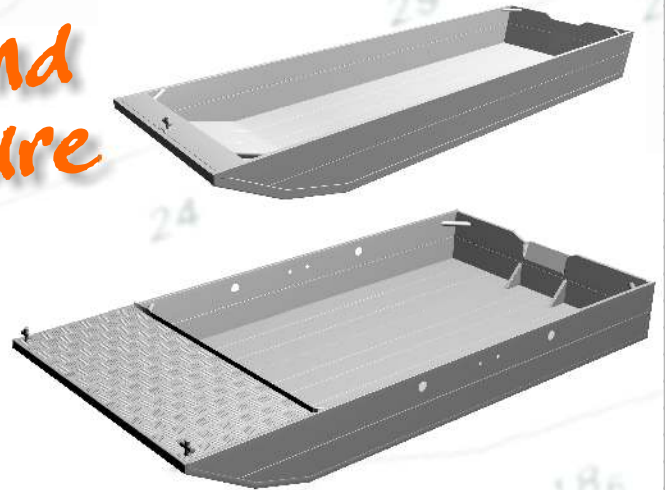


Oyster and Aquaculture Punts

Cape Marine design and build **SEMAC** chambered aluminium oyster and aquaculture punts for a diverse range of marine species and environments. At Cape Marine we have a long association with oyster farming and understand that every oyster farmer and aquaculture operation has its own unique processes, work practices and vessel requirements.

SEMAC oyster and aquaculture punts feature outstanding deck space, load capacity and stability with some of the many practical options including inboard, outboard and electric propulsion systems, hi flow manual and electric bilge pumps, heavy duty towing and mooring bollards with custom fixtures and fit outs to accommodate tanks, generators, compressors, spray units, HIABS and gantries all built and installed with durability, efficiency and safety in mind.

At Cape Marine we enjoy working closely with our clients to build vessels that uniquely suit their individual marine tasks, so if your system uses racks, sticks, baskets, floats, cages, tanks or trays you can be confident that a **SEMAC** custom built work punt can become an integral part of your on water operations and deliver decades of safe, trouble free service at a surprisingly modest whole of life cost.



www.capemarine.net